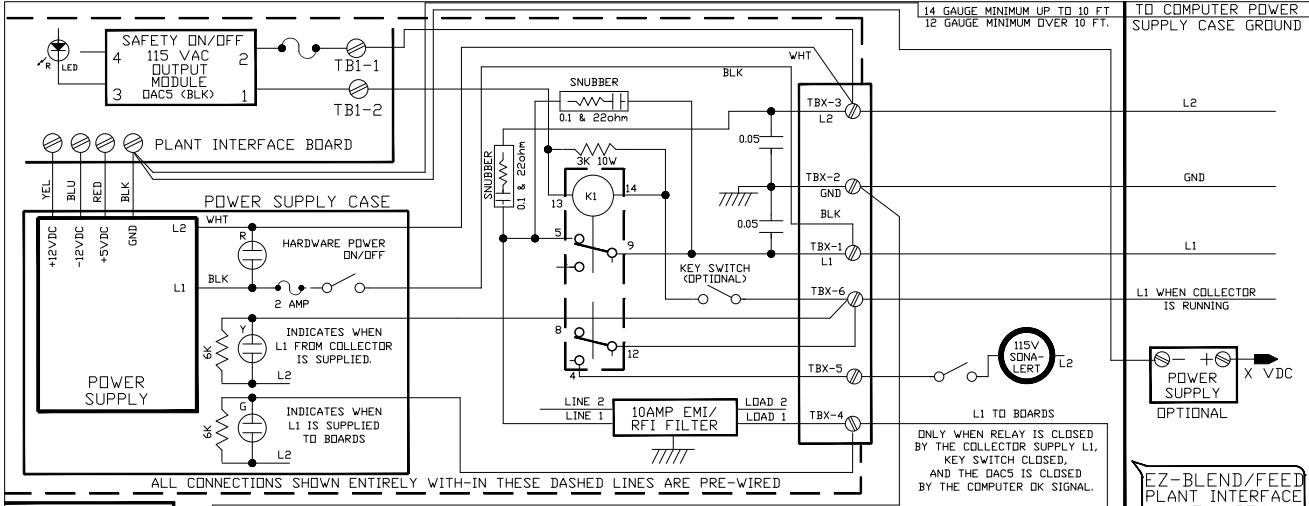


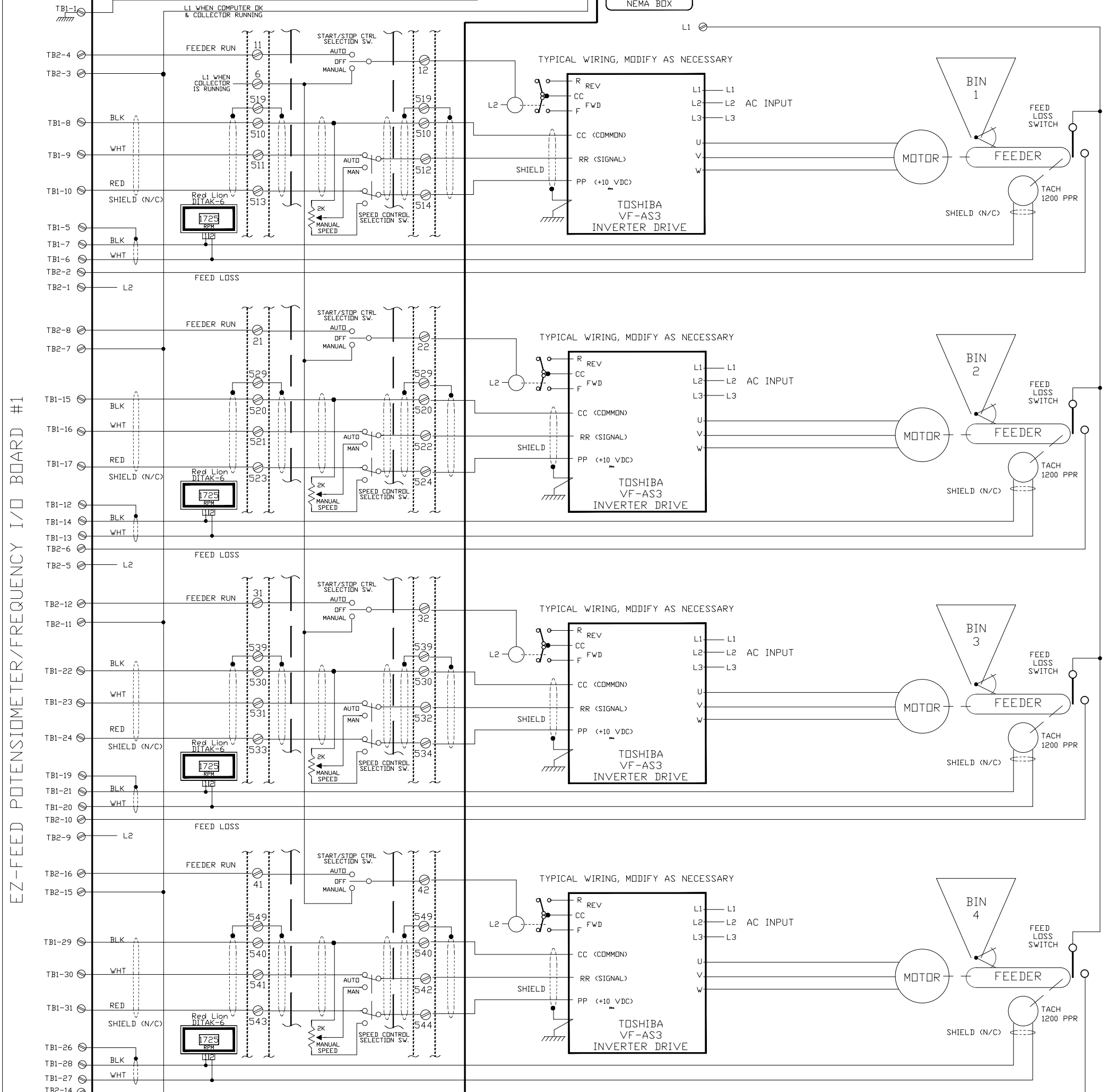
EZ-FEED POTENTIOMETER/FREQUENCY I/O BOARD #1



***** CAUTION *****
 SOME SHIELD WIRES ARE ELECTRICALLY "HOT" TO GROUND, IT IS THEREFORE NECESSARY TO INSULATE THE PIGTAILS

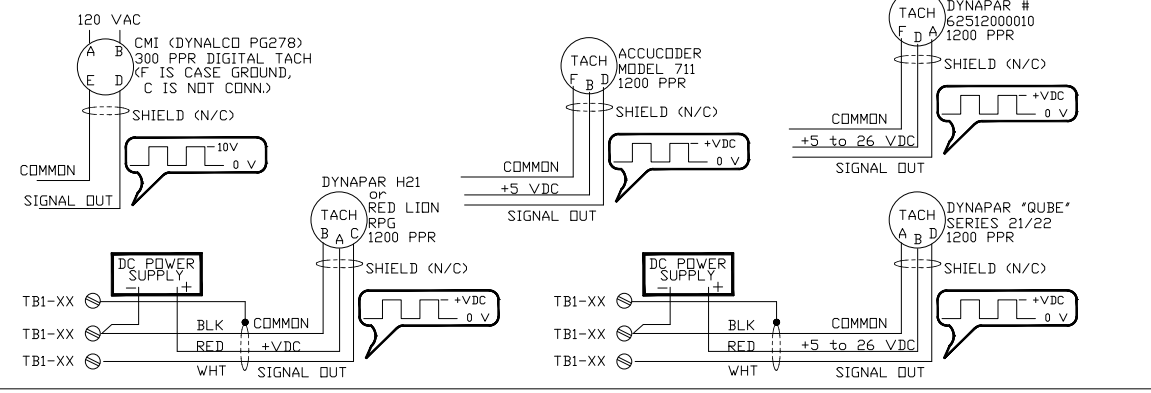
NOTE:
 USE 18ga SHIELDED CABLES BETWEEN DRIVES & EZ-FEED WHERE SHOWN. RUN THE SHIELDED CABLE IN SEPARATE CONDUIT AT LEAST 18 INCHES AWAY FROM POWER WIRES.

B & S LIGHT INDUSTRIES		CLARENDON (CLASO), DC 74017
EZ-BLEND/FEED		POT-SIM COLD FEED PCB WIRING TO TOSHIBA VF-AS3 A/C INVERTER DRIVES (BINS 1-4) W/ B & S MANUAL PANEL
SCALE:	DATE:	REV:
DWN BY:	RY:	APP BY:
05-17-18	1	1
SHEET		DRAWING NUMBER
1		D361-22-01
REV		A



TAIL-SHAFT TACH's
 SINGLE CHANNEL (CURRENT SINK) SHAFT ENCODERS
 (All have MS3102E-14S-6P connectors, use MS3106A-14S-6S mating connectors)

PIN	DYNALCO (CMI) PG278	RED LION RFG's	DYNAPAR "QUBE" SERIES 21/22	DYNAPAR 6251200010	ACCUCODER MODEL 711
A	120 VAC	PWR SOURCE	SIGNAL COMMON	SIGNAL OUT	POWER SOURCE
B	120 VAC	COMMON	POWER SOURCE	SIGNAL OUT	POWER SOURCE
C	NO CONNECTION	SIGNAL OUT	CASE GROUND	POWER SOURCE	SIGNAL OUT
D	SIGNAL OUTPUT	SIGNAL OUT	SIGNAL OUT	POWER SOURCE	SIGNAL OUT
E	SIGNAL COMMON	SIGNAL OUT	SIGNAL OUT	POWER SOURCE	SIGNAL OUT
F	CASE GROUND	CASE GROUND	SUPPLY COMMON	SUPPLY COMMON	SUPPLY COMMON



ADDITIONAL EZ-BLEND OR FEED BOARDS AS REQUIRED

TO OTHER INTER-FACE BOARDS AS REQUIRED.